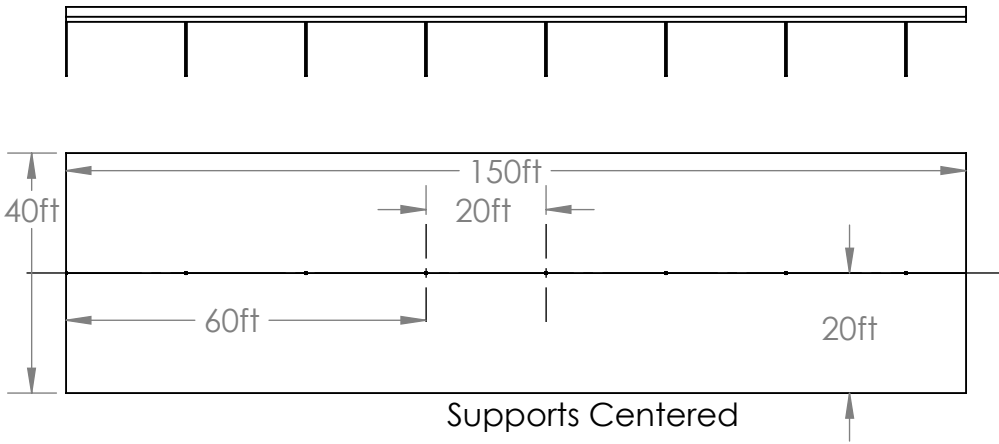
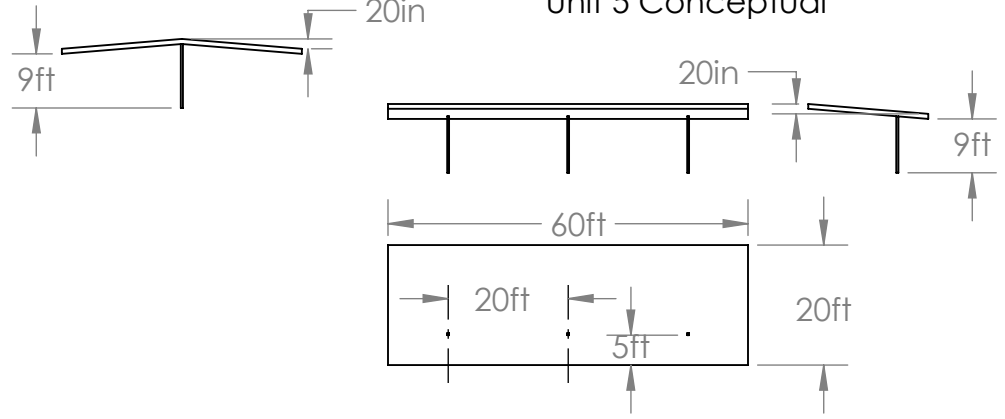


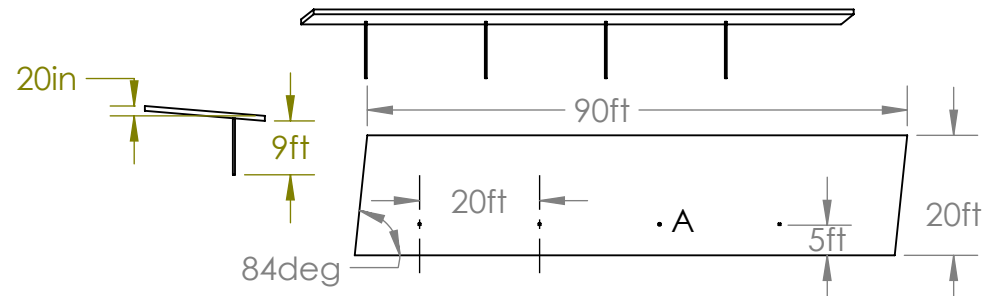
Resource Center Conceptual



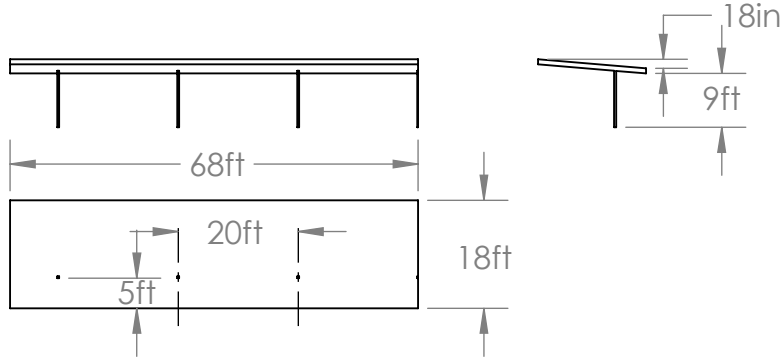
Unit 5 Conceptual



Unit 5 Parking A Conceptual

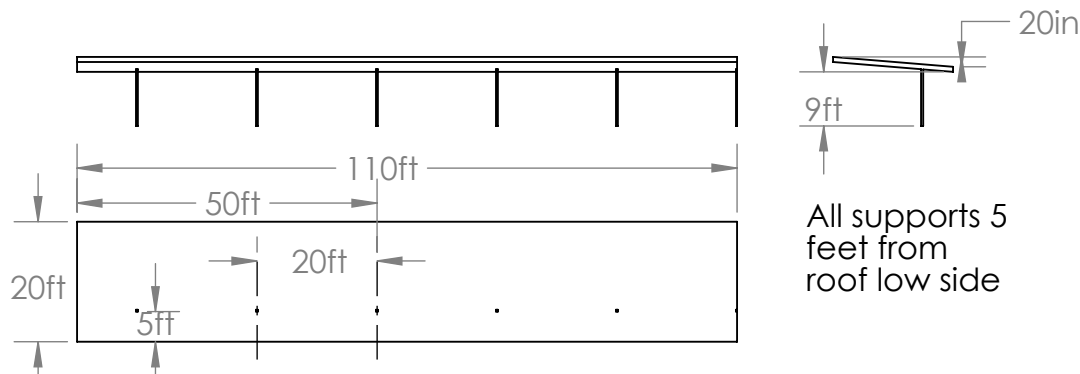


MREP Conceptual



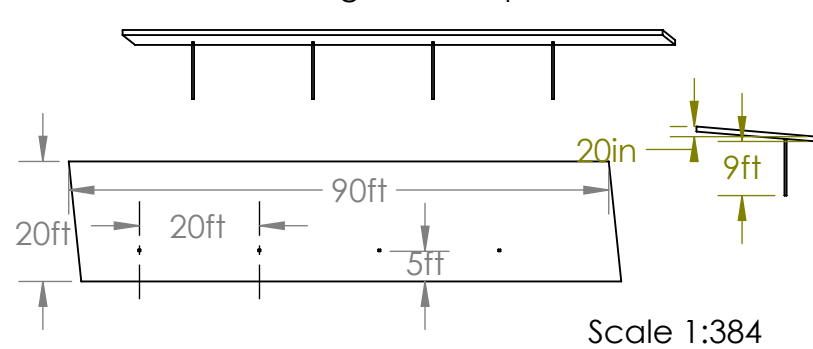
All supports 4in by 4in

WFM



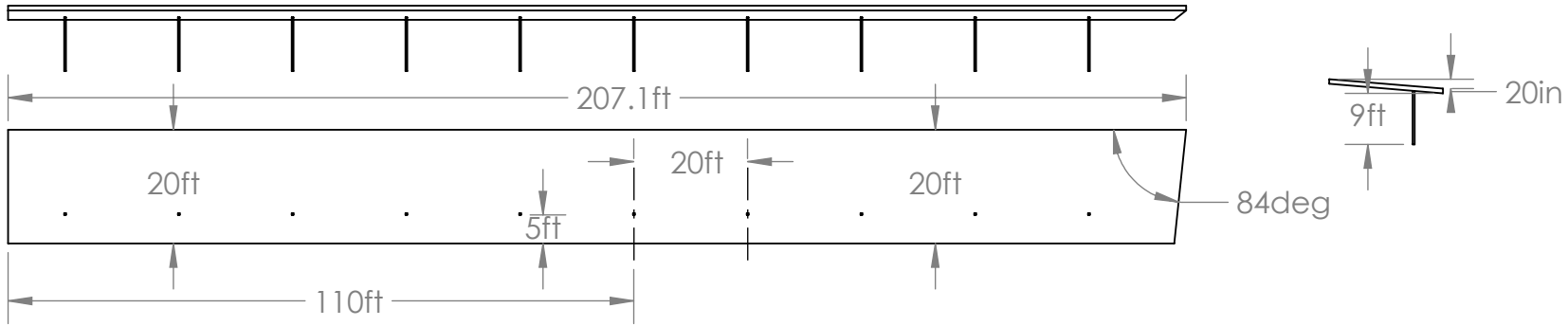
All supports 5 feet from roof low side

Unit 5 Parking B Conceptual



Scale 1:384

Unit 5 Parking C Conceptual



Unit 5 Parking D Conceptual

